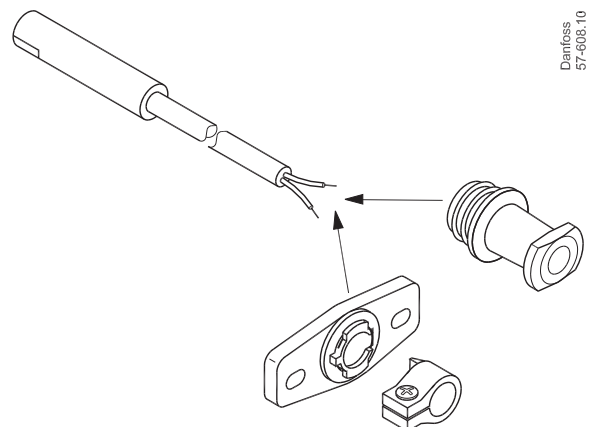
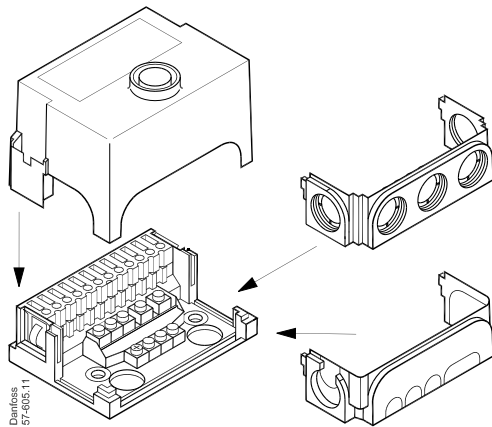
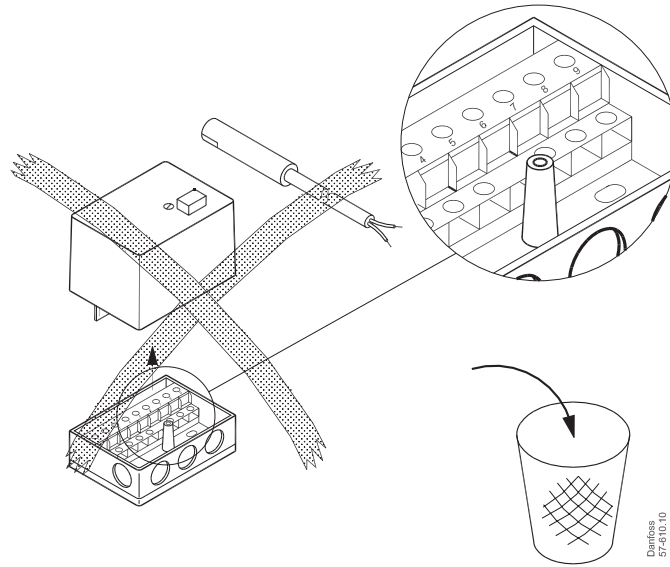


Installation Guide

Service Kit OBC 80 series

BHO (9 terminals)



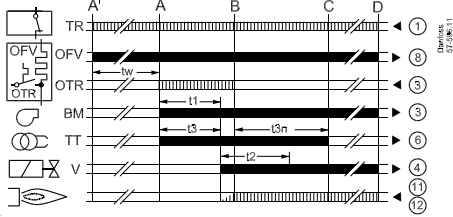
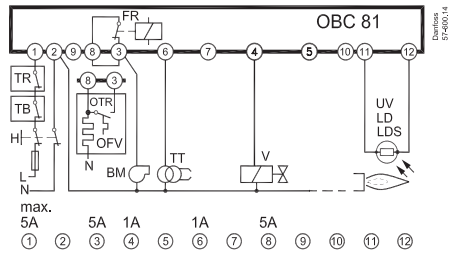
Content - Service Kit 057H7224

| | |
|--|-----------------|
| | 057H7010 |
| | 057H7011 |
| | 057H7012 |
| | 057H7087 |
| | 057H7071 |
| | 057H7072 |
| | - |

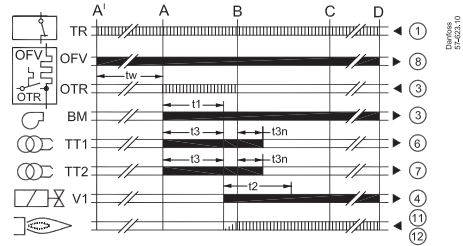
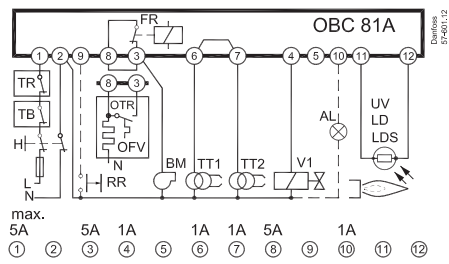


Installation Guide, Service Kit OBC 80 series

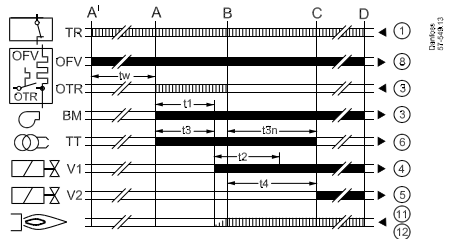
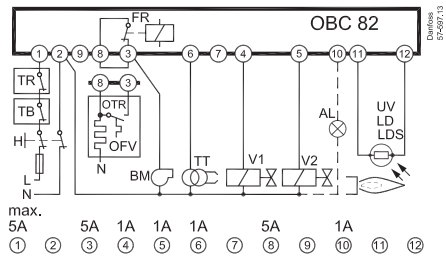
OBC 81



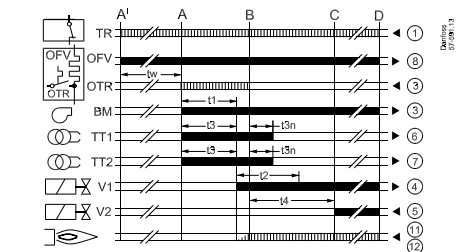
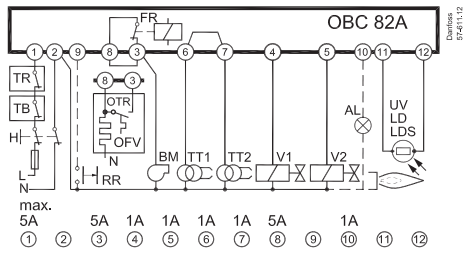
OBC 81 A



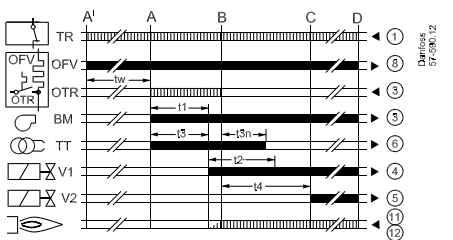
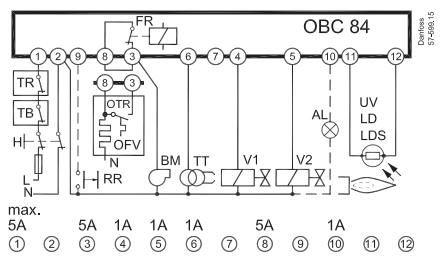
OBC 82



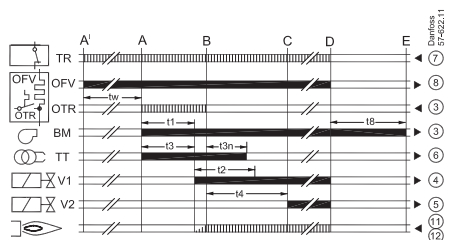
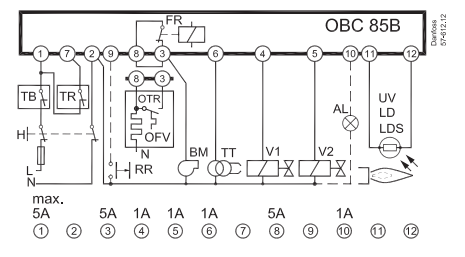
OBC 82 A



OBC 84



OBC 85B



Danfoss A/S

Heating Segment • heating.danfoss.com • +45 7488 2222 • E-Mail: heating@danfoss.com

Danfoss can accept no responsibility for possible errors in catalogues, brochures and other printed material. Danfoss reserves the right to alter its products without notice. This also applies to products already on order provided that such alterations can be made without consequential changes being necessary in specifications already agreed. All trademarks in this material are property of the respective companies. Danfoss and all Danfoss logotypes are trademarks of Danfoss A/S. All rights reserved.